

130 Eclipse Pull Ring Slam Latch

Features

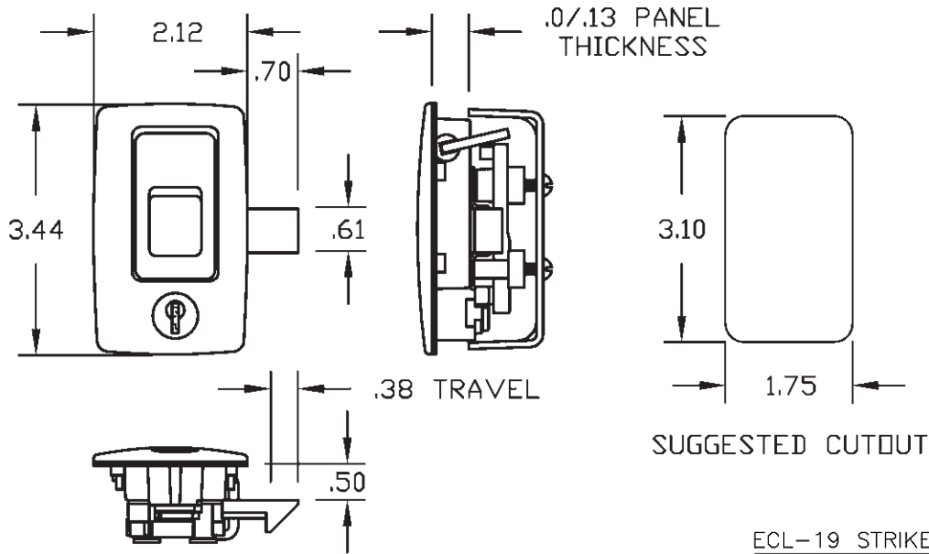
- Pull ring design with slam bolt on side, the Eclipse® pull ring handle offers a simple, one-finger activation
- Produced with UV stabilized thermoplastic and stainless steel components, latch is suitable for extreme applications that deal with water including boats, campers, trailers, or outdoor containers
- Easy installation with the use of the mounting bracket and 2 screws, which are provided. No external fasteners required and no weld marks to mar finish.
- Eclipse latches can be assembled on finished panels. An oil-resistant flange gasket is also provided
- Key-locking version is furnished with two keys

Material

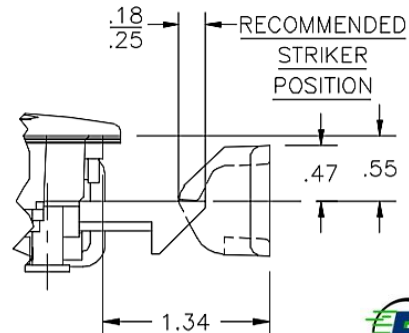
- Pull ring and housing are manufactured from high strength, UV stabilized thermoplastic
- Metal stampings are 300 Series stainless
- Key cylinder is zinc die-cast

Notes

- Striker (**ECL-19**) also available as separate order
- For stainless steel key cylinder with dust shutter, part no. is **2EC-130-KP8**



ECL-19 STRIKER
(ORDER SEPERATELY)



Part No.	Type	Finish
ECL-130-P8-MB	Non-Locking	Matt Black
ECL-130-P8-MW		Matt White
ECL-130-KP8-MB	Key Locking	Matt Black
ECL-130-KP8-MW		Matt White

Dimensions in inches



We are Eberhard's exclusive distributor